

PRODUCT INTRODUCTION

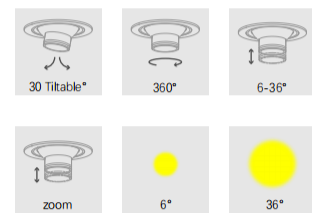
A mini recessed fixture with small dimensions, zoomable beam angle, color rendering CRI 97, R9 > 90, making it a very refined product ideal for retail, jewelry and exposition projects. The best angle can be freely chosen for the exhibits thanks to the characteristic of 6-36° zooming and 360° rotatable.

SPECIFICATION

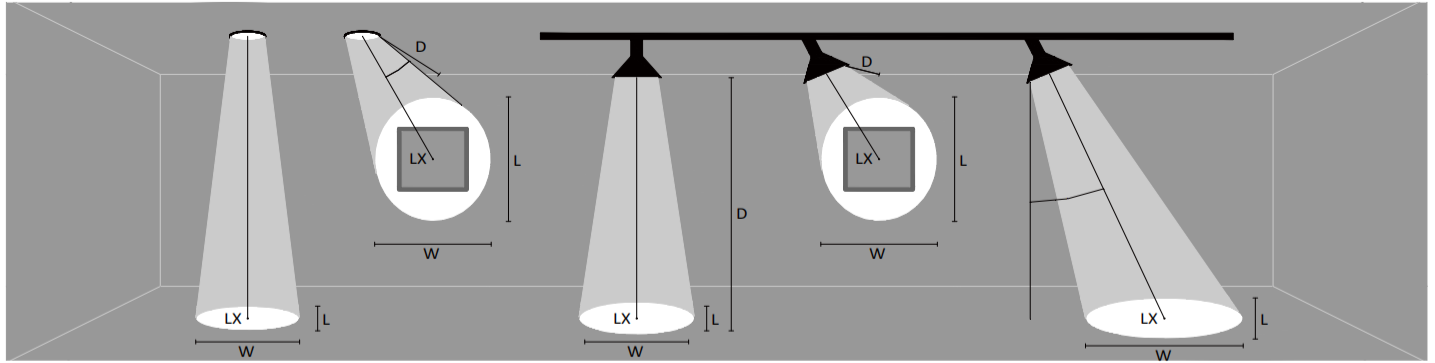
Wattage : 1W / 2W / 3W
 Color temperature : 2700K / 3000K / 3500K / 4000K
 CRI : Ra97/95 (R9>90)
 Beam angle : 6-36°
 Driver : Input voltage DC3V 750mA(MAX)
 Dimming : 0/1-10V , DALI , TRIAC , CASAMBI

FEATURES

Product surface color : Silver, Black, Customized
 Rotatable through 360°, 30° Tilttable, Push-Pull
 Protection degree : IP20 (En60598)
 Energy efficiency: EEIA



Radial distribution & Conical illuminance



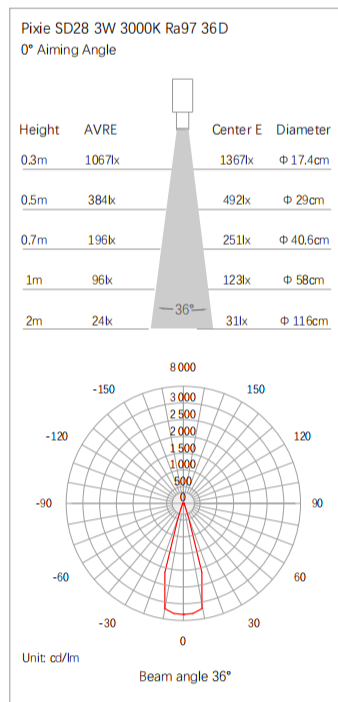
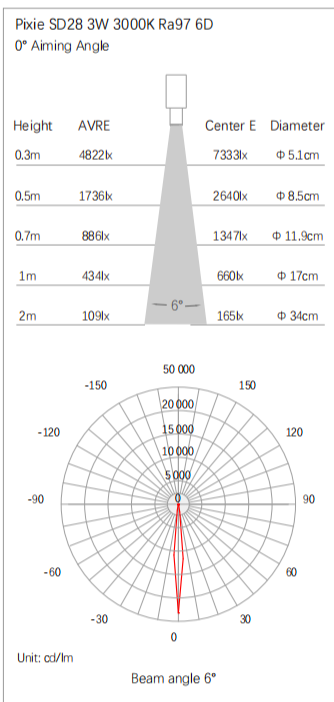
D Distance To Fix From Wall or Floor

LX Initial illuminance Level At Center of Beam

L Beam Length (where candlepower drops to 50% of maximum)

W Beam Width (where candlepower drops to 50% of maximum)

Radial distribution & Conical illuminance



Lighting effect

