

PRODUCT INTRODUCTION

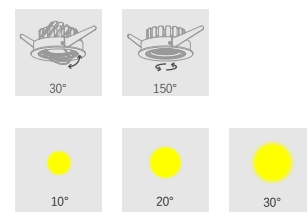
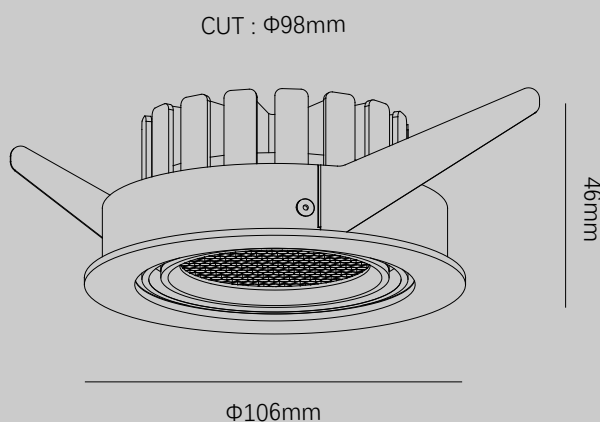
It allows you to rotate or tilt the lamp to direct the angle needed, creating a high quality illumination. Its low height easily facilitates installation in false ceilings of any thickness, providing great design flexibility

SPECIFICATION

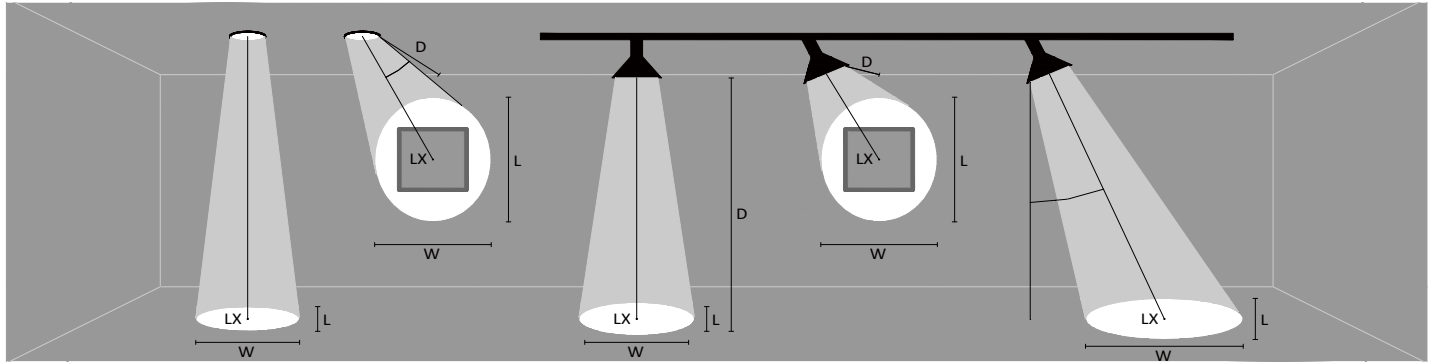
Wattage : 12W / 15W / 18W
 Color temperature : 2700K / 3000K / 3500K / 4000K
 CRI : Ra97 (R9>90)
 Beam angle : 10° / 20° / 30°
 Input voltage : AC220V-240V
 Dimming : 0/1-10V , DALI , TRIAC , CASAMBI

FEATURES

Product surface color : White, Black, Customized
 Mounting: Recessed
 Rotatable through 150° , 30° tilt
 Protection degree : IP20 (En60598)
 Energy efficiency: EEIA



Radial distribution & Conical illuminance



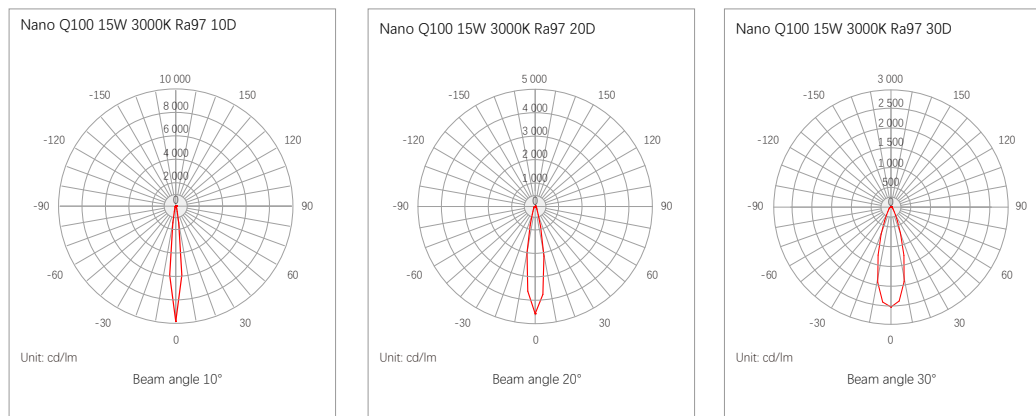
D Distance To Fix From Wall or Floor

LX Initial illuminance Level At Center of Beam

L Beam Length(where candlepower drops to 50% of maximum)

W Beam Width(where candlepower drops to 50% of maximum)

Radial distribution & Conical illuminance



Specifications

Model No.	Total Power (W)	LED Power (W)	Voltage	CRI (Ra)	Color Temp (K)	LED Flux (lm)	Beam Angle	IP Grade
Nano Q100	12	10.8	AC220V-240V	97	2700	960	10° / 20° / 30°	IP20
					3000	980		
					3500	990		
					4000	1000		
Nano Q100	15	13.5	AC220V-240V	97	2700	1200	10° / 20° / 30°	IP20
					3000	1280		
					3500	1290		
					4000	1300		
Nano Q100	18	16.2	AC220V-240V	97	2700	1440	10° / 20° / 30°	IP20
					3000	1500		
					3500	1525		
					4000	1550		

· Thermally stable typical lumens ($\pm 10\%$)

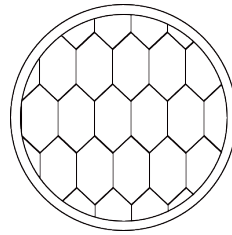
Package information

Model No.	Packaging/Unit	Pieces/Unit	Dimensions (L x W x H)	Gross Weight	Volume
Nano Q100	Inner box	1	130x130x100mm	0.38kg	1.69dm ³
	Outer box	15	560x280x250mm	5.7kg	39.20dm ³

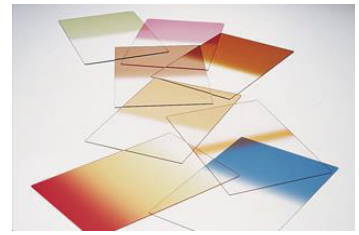
Optional accessories



Elliptical diffusion lens



Honeycomb louver



Color coated lens